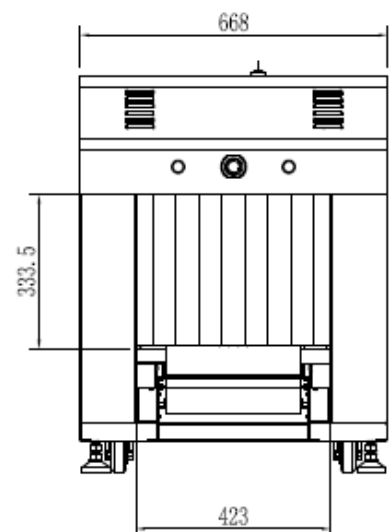
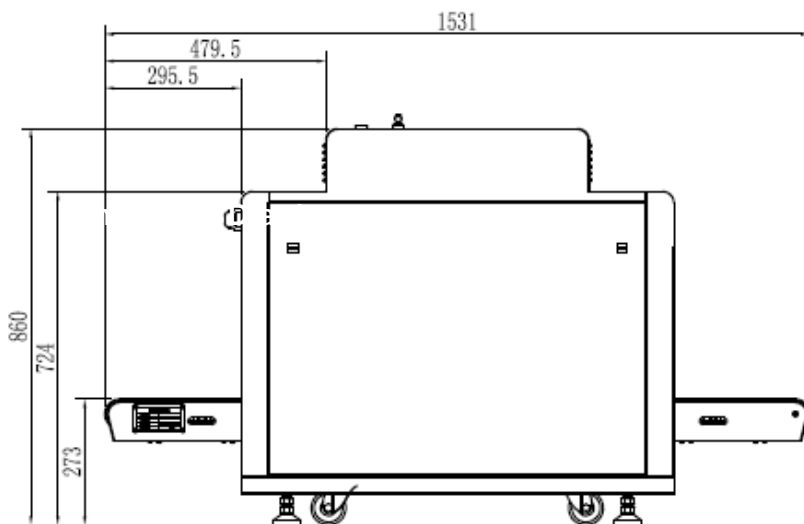




## Product highlights

- \* Linux operation system
- \* ARM cpu
- \* Digital signal and processor
- \* Working 10000 hours above
- \* Energy saving design
- \* High penetration
- \* Good quality images
- \* One key turn off

## Dimensional Drawing



## Important Sizes :

Product Size: 1531\* 668 \* 860mm (L × W × H)

Tunnel Size: 423\*333.5mm (width × height)

## Product Details

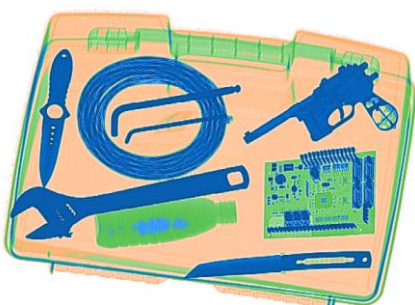
### General Specifications

|                                  |   |
|----------------------------------|---|
| Wire Resolution                  | Typical AWG7                            |
| Penetration resolution           | Typical AWG12                           |
| Spatial resolution               | Vertical:1.0mm, horizontal:1.0mm        |
| Penetration                      | Typical 11mm                            |
| Resolution of organic matter     | /                                       |
| Grayscale and mixture resolution | /                                       |
| Resolution of inorganic objects  | /                                       |
| Effective material resolution    | /                                       |
| X-Ray dosage each inspection     | ≤1.0μSv (uGy)                           |
| Boundary Leakage                 | ≤0. 5μSv /h(uGy/h)                      |
| S/N ratio                        | <60dB                                   |
| Conveyor speed                   | 0.2m/s                                  |
| Conveyor max load                | 100kg                                   |
| Power consumption                | 0.5KW                                   |
| Safety performance requirements  | Meet the requirements of GB15208.1-2005 |
| EMC requirements                 | Meet the requirements of GB15208.1-2005 |
| Electrical safety                | Meet the requirements of GB15208.1-2005 |
| Environmental applicability      | Meet the requirements of GB15208.1-2005 |
| Leakage current                  | ≤5.0mA                                  |
| Film Safety                      | Guarantee ASA/ISO1600 Film              |
| Weight                           | 180kg                                   |
| Operation temperature/Humidity   | 5℃-40℃/0%-90%                           |
| Storage temperature/Humidity     | -20℃-60℃ /10%-90%                       |
| Atmospheric pressure             | 86kPa-106kPa AC                         |
| Operation Power                  | 220V(±10%-15%) 50±3Hz                   |
| Operation system                 | LINUX                                   |

### General Specifications

|                   |  |
|-------------------|--|
| X ray generator   | 80KV, oil cooling, from bottom to top          |
| Electric roller   | One- phase                                     |
| Computer          | Hard drive: 500G, Storage : 1G                 |
| Monnitor          | 21.5" LED screen, resolution: 1280*1024 pixels |
| Operation console | Single screen console                          |

## Scanned images



## Functional characteristics

|                             |   |
|-----------------------------|---|
| Power-on self-test          | With the function of fault self-check, automatically judge the fault and prompt the fault code information in time.   |
| Image processing            | 1-64times enlargement continuity.<br>With the function of Color/BW, negative, high/low penetration, organic/inorganic stripping, general enhancement, and pseudocolor, etc.   |
| Image Recall                | 30 preceding images recallable.   |
| The number of images stored | Up to 10,00 images stored automatically.  |
| Real-time curve             | The real-time curve can be used to detect whether the acquisition system and components work normally.  |
| Time setting                | System time can be set  |
| Probe setting               | It can realize the manual deletion of the low and low energy detection board dead pixels, and display the deleted dead pixels in the display area.  |
| Ray source setting          | There are two source and analog source control modes, the source parameters of the digital source can be set.   |
| Alarm system                | The alarm function can be activated and deactivated, and the alarm type of the alarm box, sound and light alarm can be selected, and the sensitivity, minimum absorption rate, maximum absorption rate, and alarm duration can be set.  |
| Troubleshooting             | It can realize whether the components such as the entrance and exit light barrier, side panel switch, emergency stop switch and light source are normal, and display the standard value and current value of the detection voltage  |
| Image setting               | The drum running control direction and the image display moving direction can be set.   |
| Software registration       | It can realize software registration function and has serial number, registration code, registration status and system time information display.  |
| User login                  | Log in by entering different user name and passwords, only when logging in can you make other settings.   |
| User management             | You can add, delete, edit the user name and password, set the user level to restore the deleted user.   |
| Authority management        | Different default permissions can be set according to user level.   |
| language settings           | The system language can be set to switch between Chinese and English.   |
| Log management              | User operations can be monitored to query user actions.   |
| About                       | The version and device number can be displayed.   |
| TIP report                  | The report can be generated by the tip operation after the tip insertion function is turned on, and the content of the report: user name, number of tip insertions, number of tags, false positive rate, probability of detection, probability of false positives.  |
| Tip management              | It can be set to enable and disable the insertion of dangerous goods, and can set the identification time, Prompt time, insertion frequency, proportion of single items inserted into dangerous goods, add tip files and delete files.  |
| Document management         | It can query, open, and export the checked image.   |
| Function setting            | It can set log level, save the file time, whether to open the training function and setting the smart roller.   |
| Data setting                | Display system working hours, the total working hours of the ray source, the total number of system baggage and packages, and the total number of baggage packages this time, and clear the above data.   |
| System parameter setting    | It can select the exported data, pictures, and backup directory, select and adjust the motor type, detector type, whether to enable the debug mode, model, and gain, enter the corresponding IP address on network connection to realize sharing function, and have corresponding software to achieve system upgrade. |

## Compliance

|                  |   |
|------------------|---|
| International    | *ISO19001 ; SO14001 ; ISO27001; OHSMS18001 ;CE ,ROHS, FCC, REACH, USA, FDA  |
| National (China) | *Health Inspection Report<br>*Computer Software Copyright Registration Certificate<br>*Software Product Registration Certificate<br>*Radiation Safety Certificate from Ministry of Public Security<br>*Quality Certification from Safety and Police Electronic Products Quality Inspection Center<br>*Design patent certification |

### SAFEMAN INSPECTION SYSTEM LIMITED

First Factory: BuildingA, QIFeng Digital Park, BaiNiKeng, PingHu Street, LongGang, Shenzhen, China  
 Second Factory: BuildingB, ShengLongXing Industrial Park, LongTeng Road, PingDi Street, LongGang, Shenzhen, China  
 Tel: +86 - 755-8934 2235 / Fax: +86 - 755-8934 2650  
 Mobile&Whatsapp: + 86- 136 7021 3490 Skype: sophia.xiong8105  
 Email: sophia@safeway-system.com  
 Website: www.safeway-system.com

